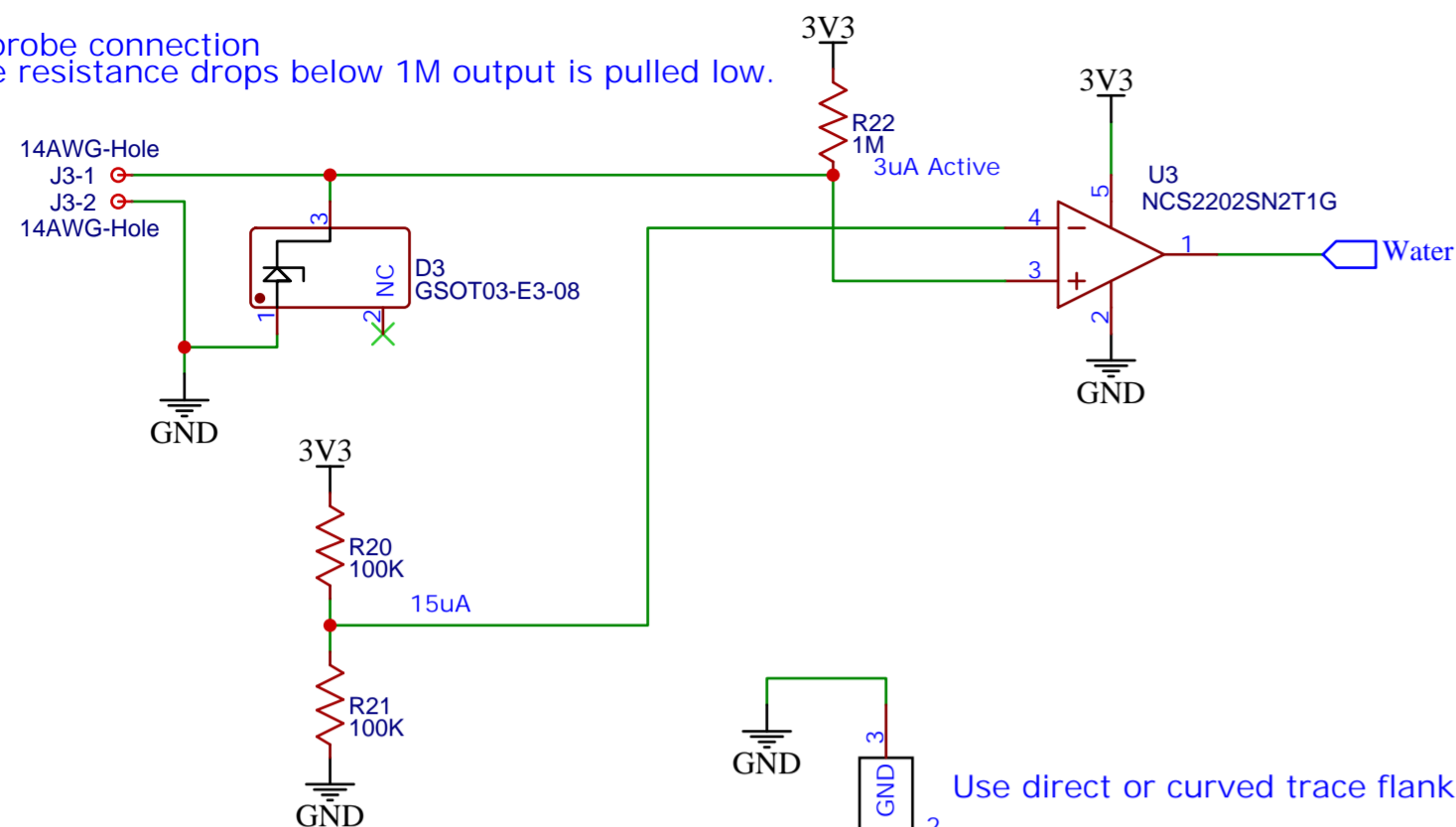


Water probe connection
If probe resistance drops below 1M output is pulled low.

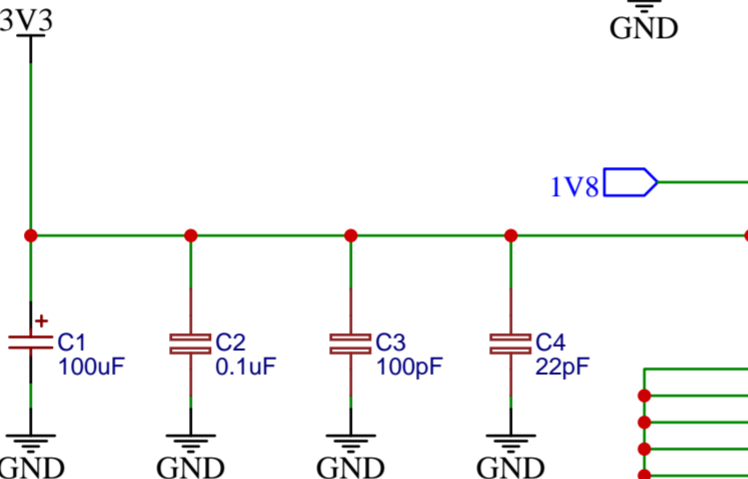
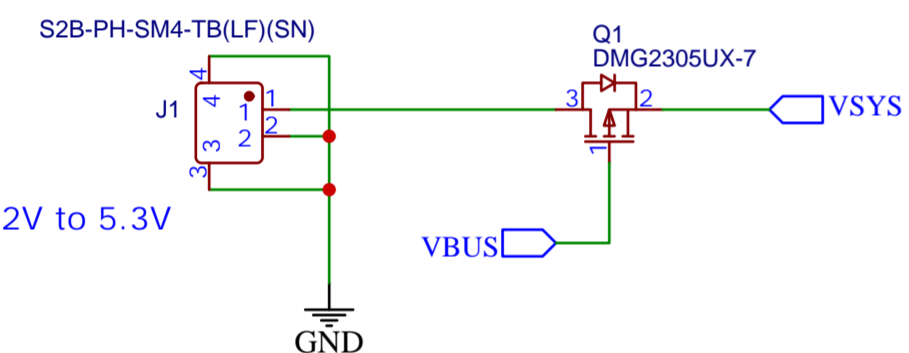


J1 Mates with Molex 2125700100 Antenna

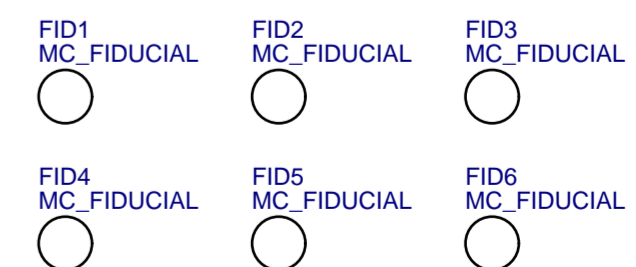
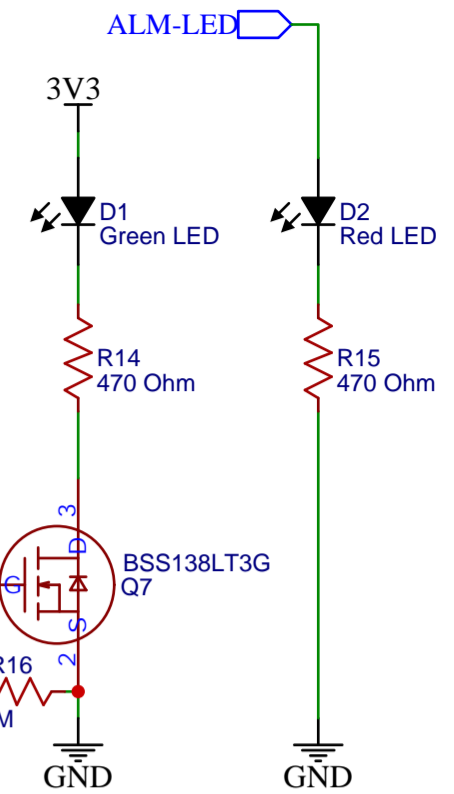
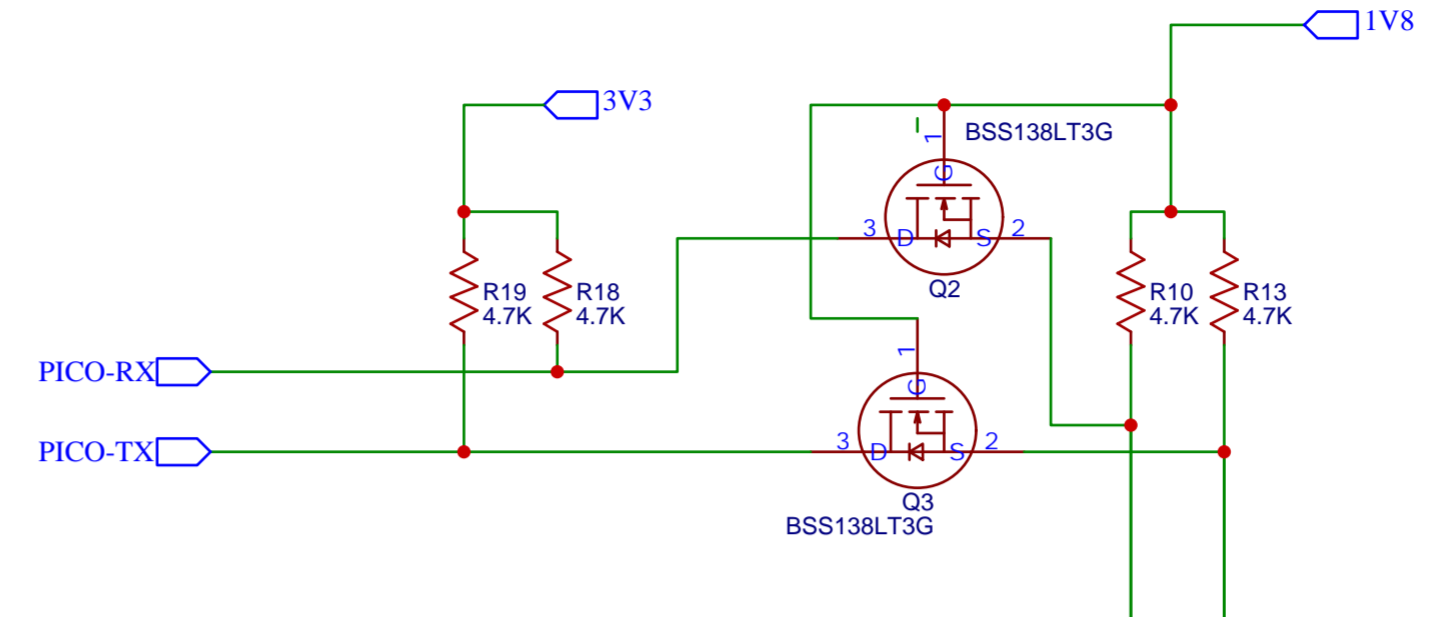
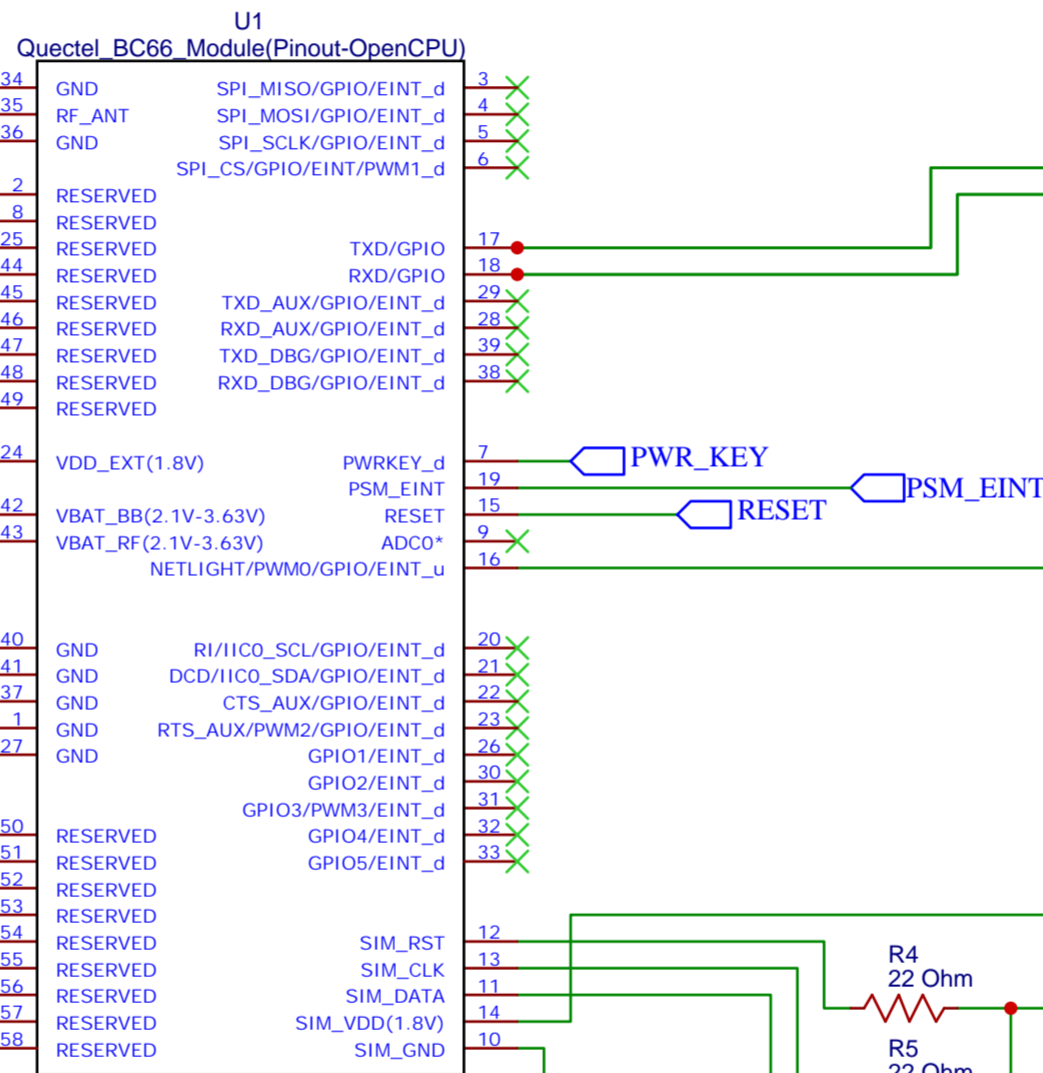
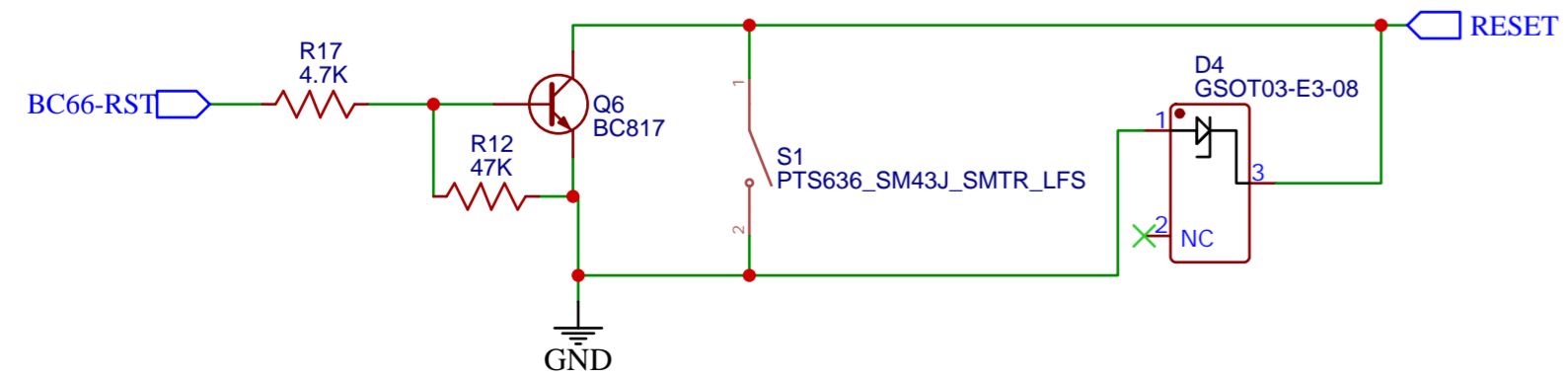
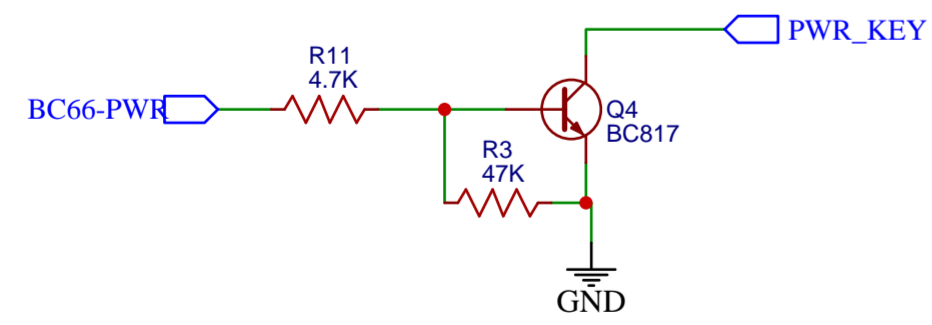
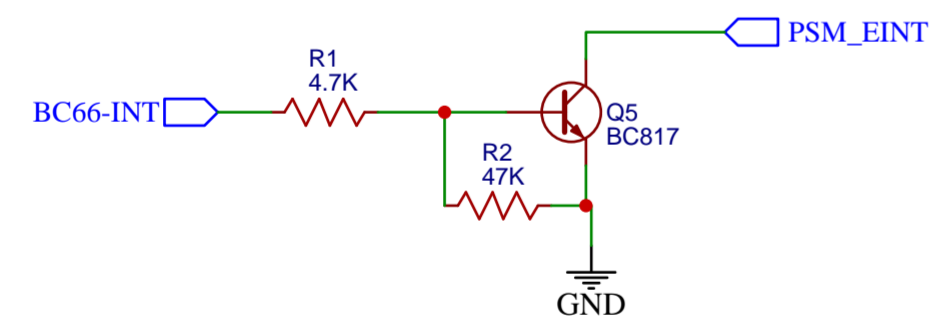
Use direct or curved trace flanked by GND.

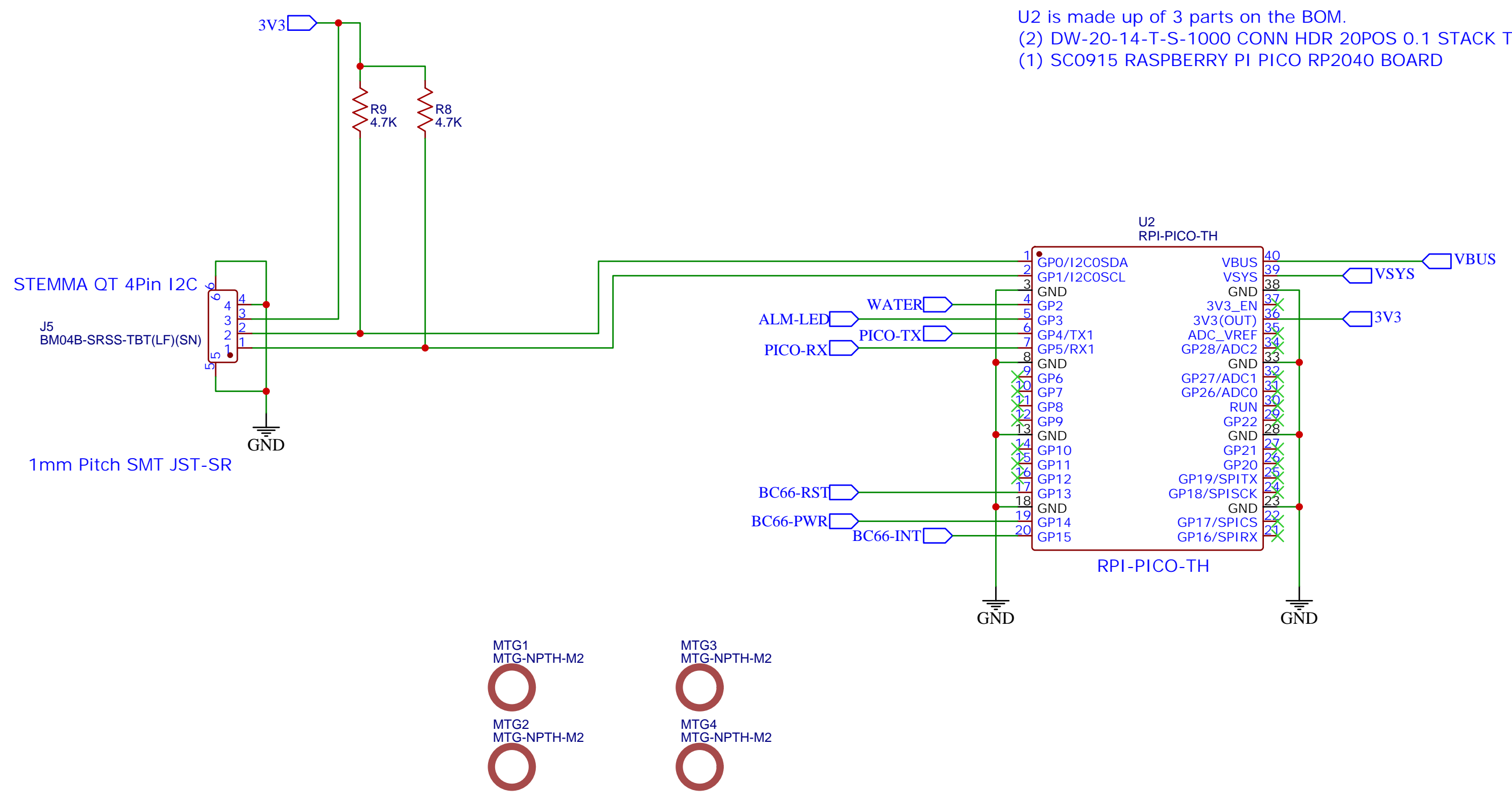
2mm Pitch RA SMT JST-PH

2.2V to 5.3V




Place C2-4 near U1.43





U2 is made up of 3 parts on the BOM.
 (2) DW-20-14-T-S-1000 CONN HDR 20POS 0.1 STACK T/H TIN [Mouser 200-DW2014TS1000]
 (1) SC0915 RASPBERRY PI PICO RP2040 BOARD

TITLE:	PDWD-MINI	REV:	2.0
		Company:	DienstNet LLC
		Sheet:	2/2
		Date:	2022-02-13
		Drawn By:	Dddienst